

NW	2000	2000	2000	2000
NL	2000	2500	3000	3500
A	3820	4175	4525	4880
B	3785	4140	4490	4845
C	1390	1745	2100	2450
D	1425	1780	2135	2490
E	1415	1770	2125	2480
F	1380	1735	2090	2440
G	3830	4185	4540	4890
H	3795	4150	4500	4855

F (kN)					
Load	60				

- NL** - Nominal Length
- NW** - Nominal Width
- SL** - Square Level
- H** - Constructional height of the platform

PVC electrical conduit (min. Ø60) for electrical connections between dock leveler and control panel. Power supply: 3P+N+PE, recommended wire cross-section: 1,5 mm²
 At bumper fixation points forces of 59 kN to be expected on prefabricated concrete with 30 tons lorries and velocity of 5 km/h
 Preparation of the dock by the general contractor

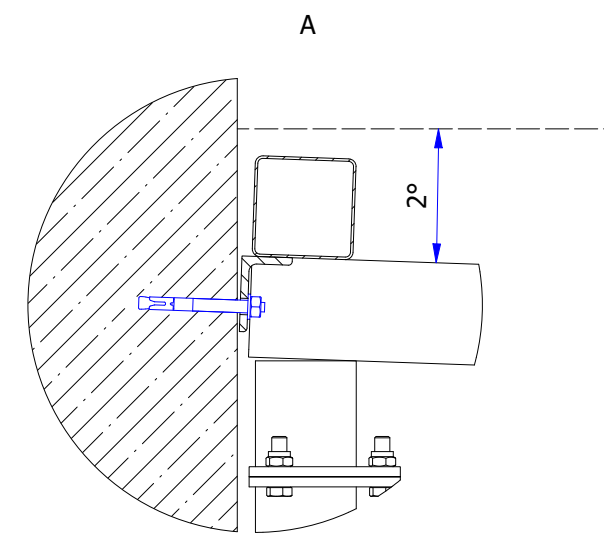
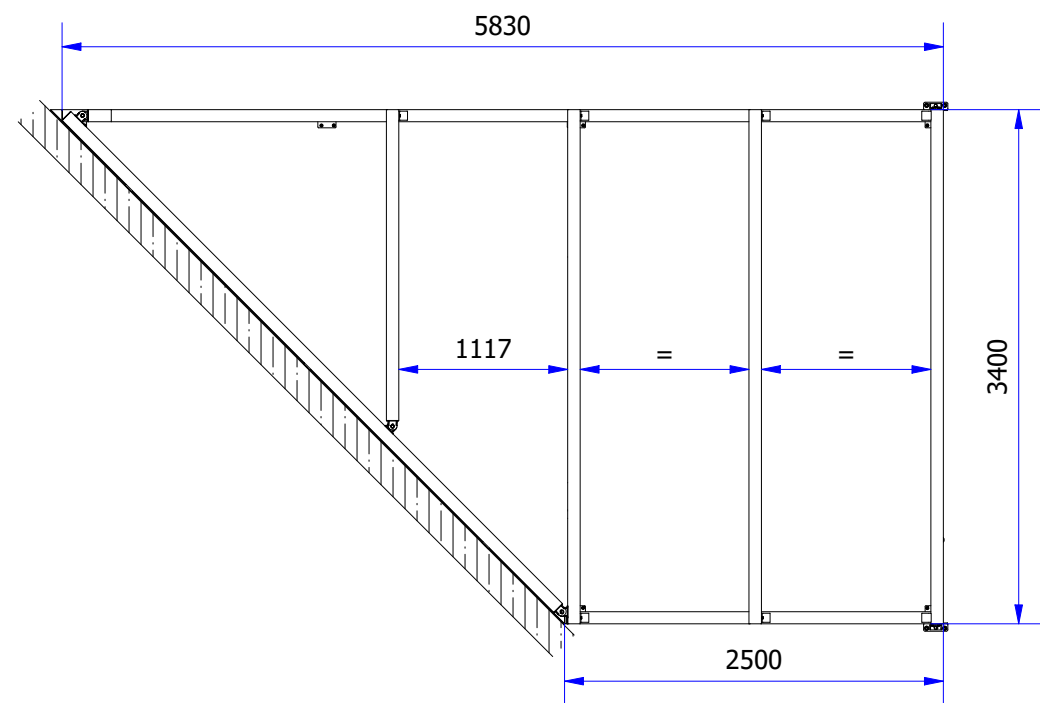
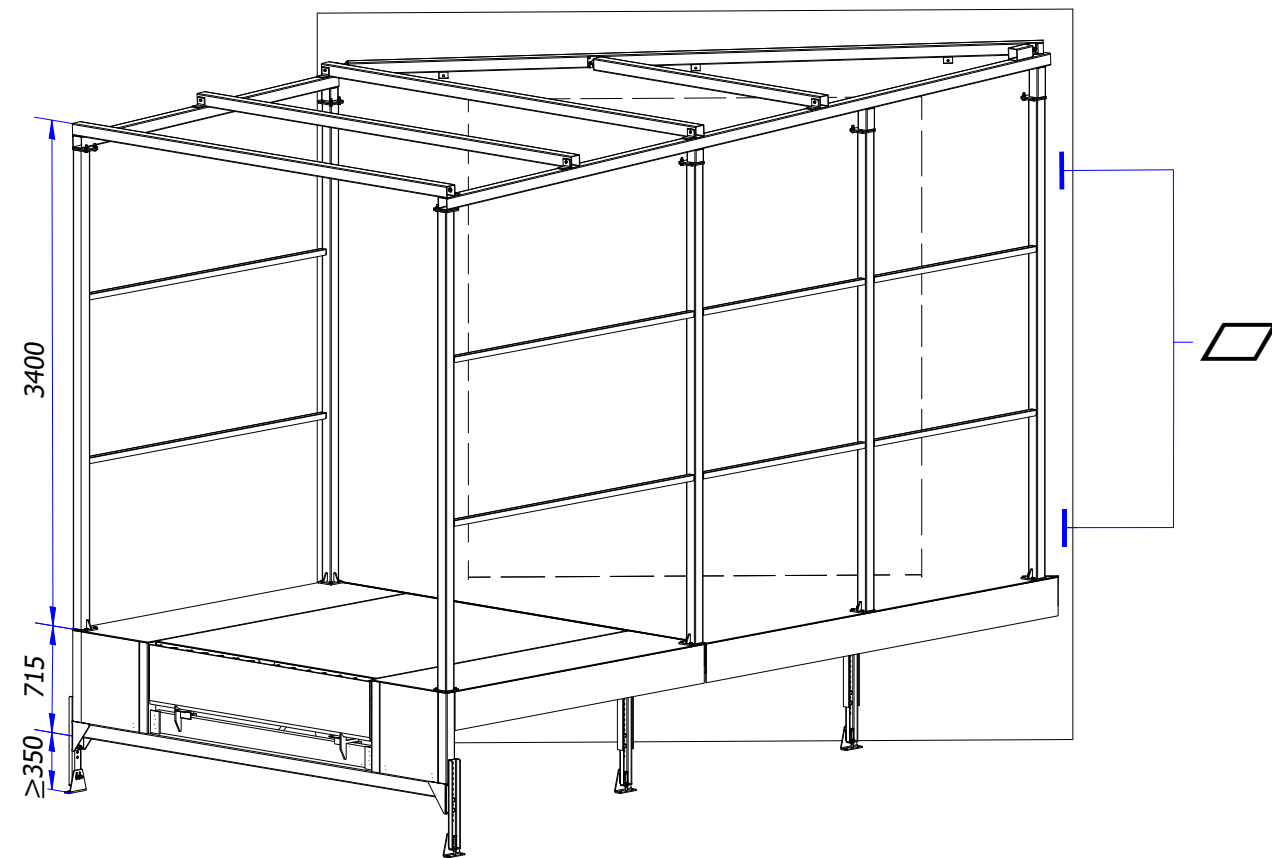
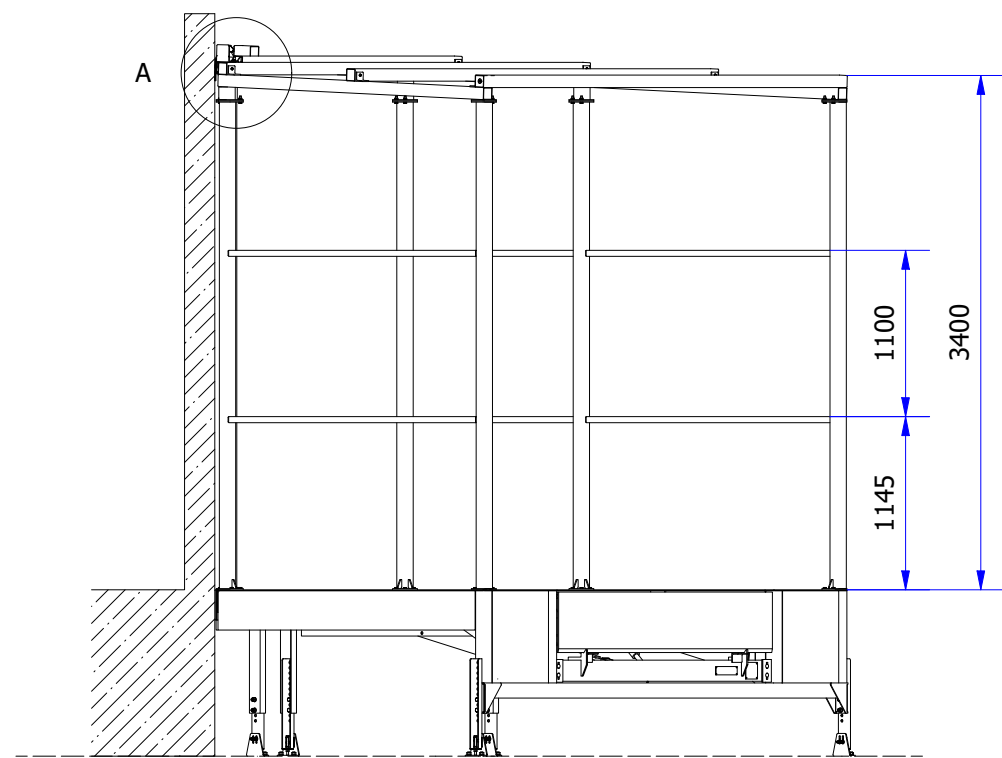
Drew	S. Włóczyk	11.07.2022
Checked		
Approved		



Domek przeładunkowy
AMTR-D

NW x NH

* The drawing is an illustrative drawing, not made to scale. Detailed technical solutions may differ from the ones shown in the drawing.



▭ Maintain the flatness of the surface along the entire height of the house assembly

* The drawing is an illustrative drawing, not made to scale. Detailed technical solutions may differ from the ones shown in the drawing.

Drew	S. Włóczyk	11.07.2022
Checked		
Approved		



Domek przeladunkowy
AMTR-D

NW x NH