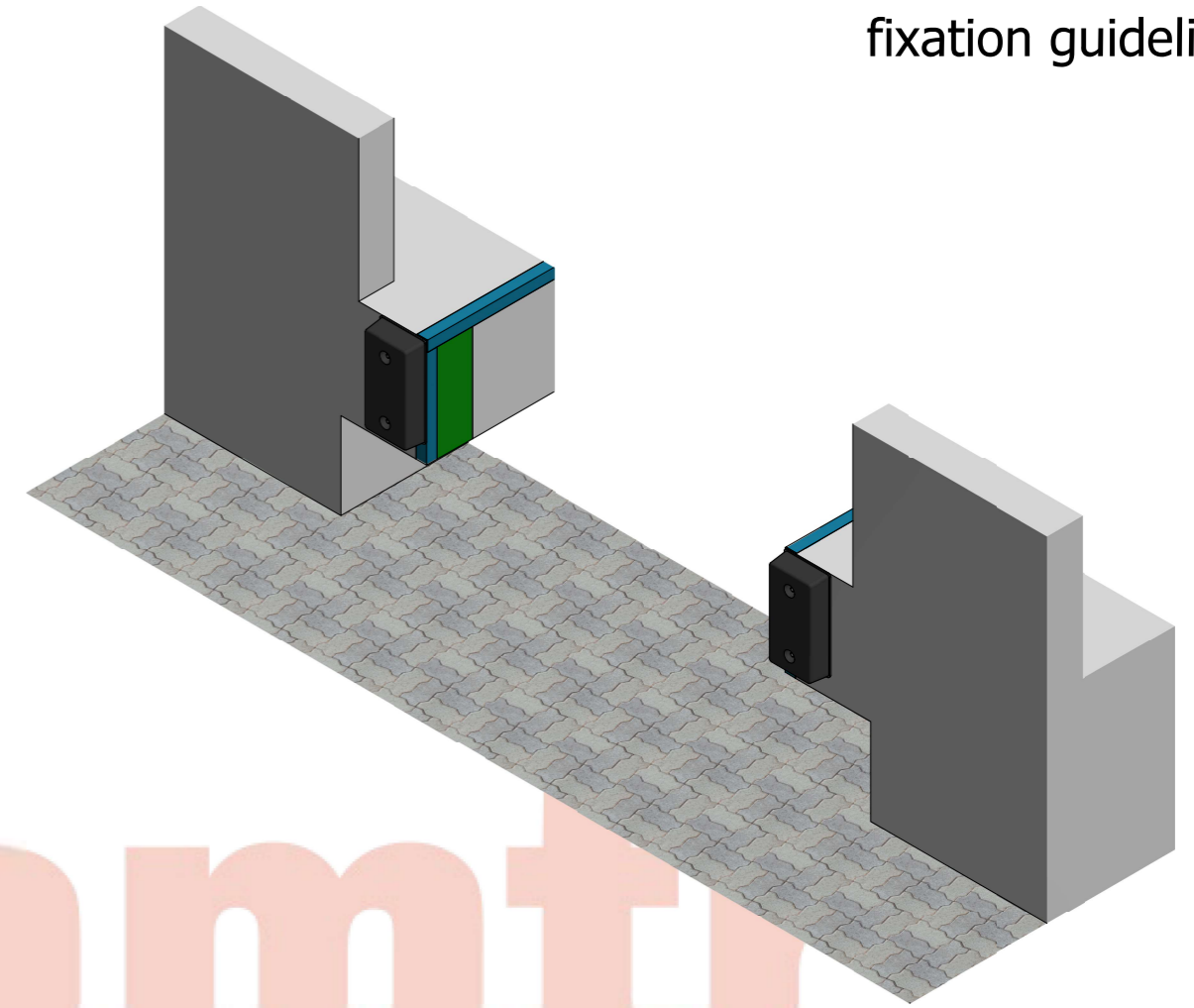
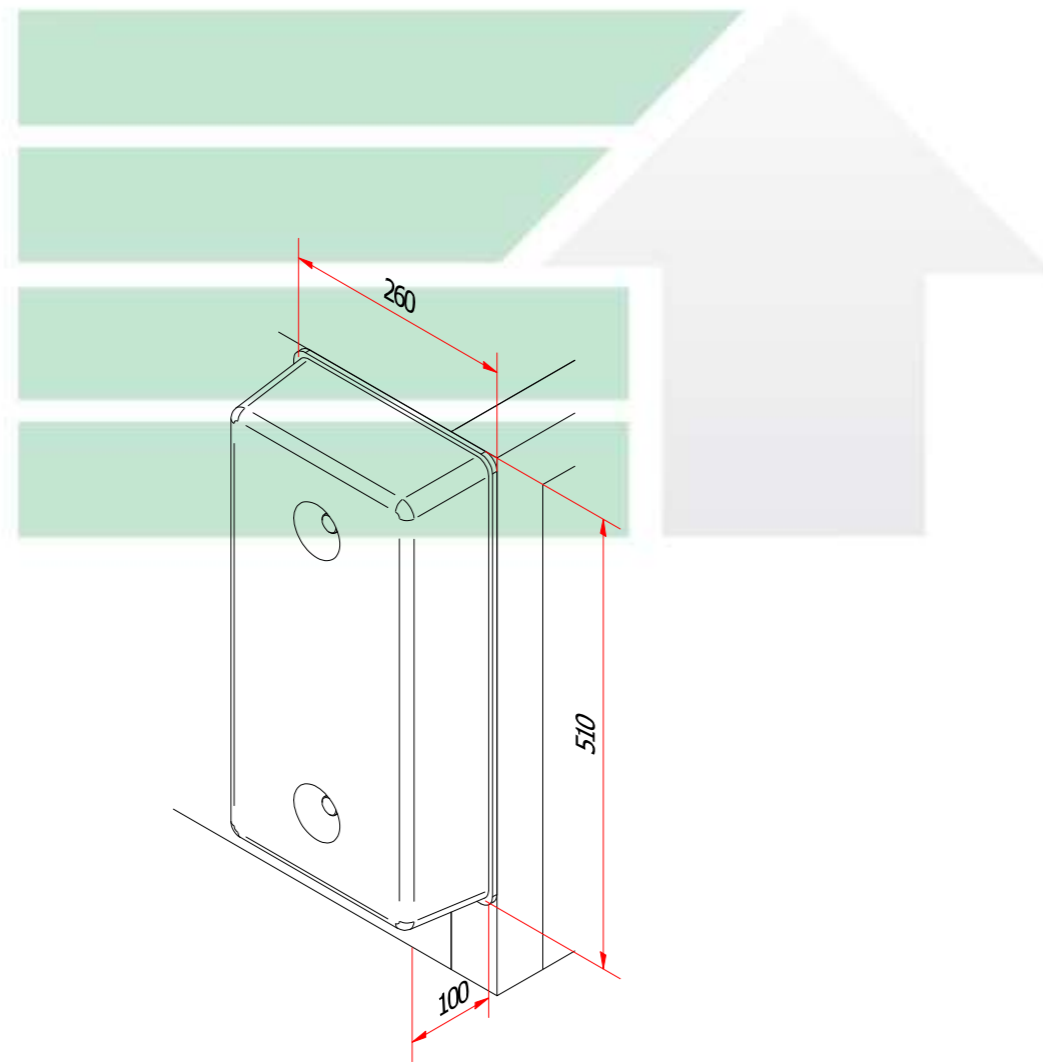
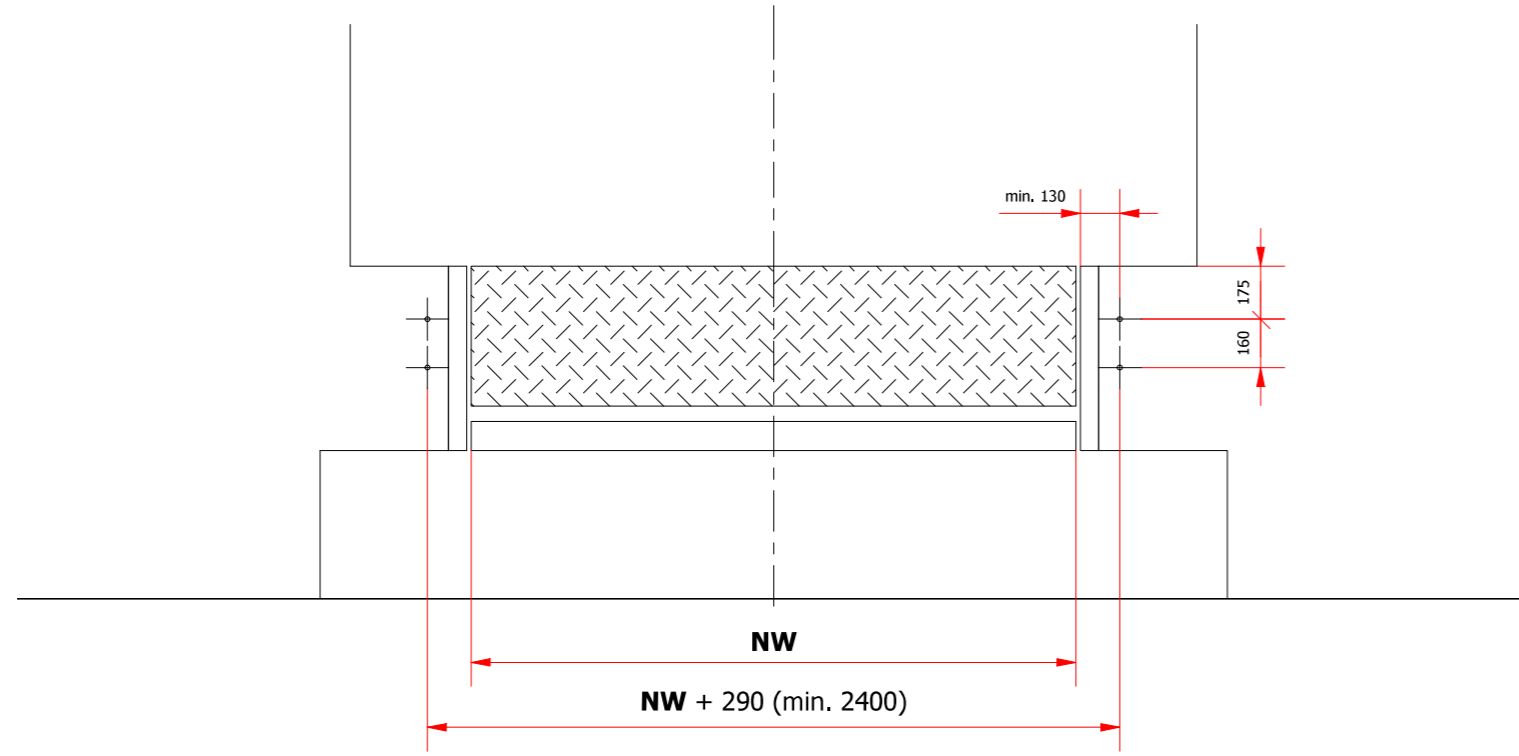


JUMBO-PRO buffers fixation guidelines




amtr
SYSTEM

Comments:

1. **NW** - nominal width
2. Centre to centre of buffers must not be less than 2400mm
3. The impact force on buffer must not exceed beyond 100kN
4. Dimensions of the rubber buffer (width x height x depth) 250 x 500 x 100 mm

Fixation sleeve anchors included.

Zaprojektowany przez P. Pomykała	Sprawdzony przez H. Sinoff	Zatwierdzony przez G. Mazurkiewicz	Data X : X	Data 21.06.2021	A3
			JUMBO-PRO buffers fixation guidelines		
			JUMBO-PRO	Wydanie	Arkusz 1 / 1

* The drawing is an illustrative drawing, not to scale. Detailed technical solutions may differ from those presented in the figure.