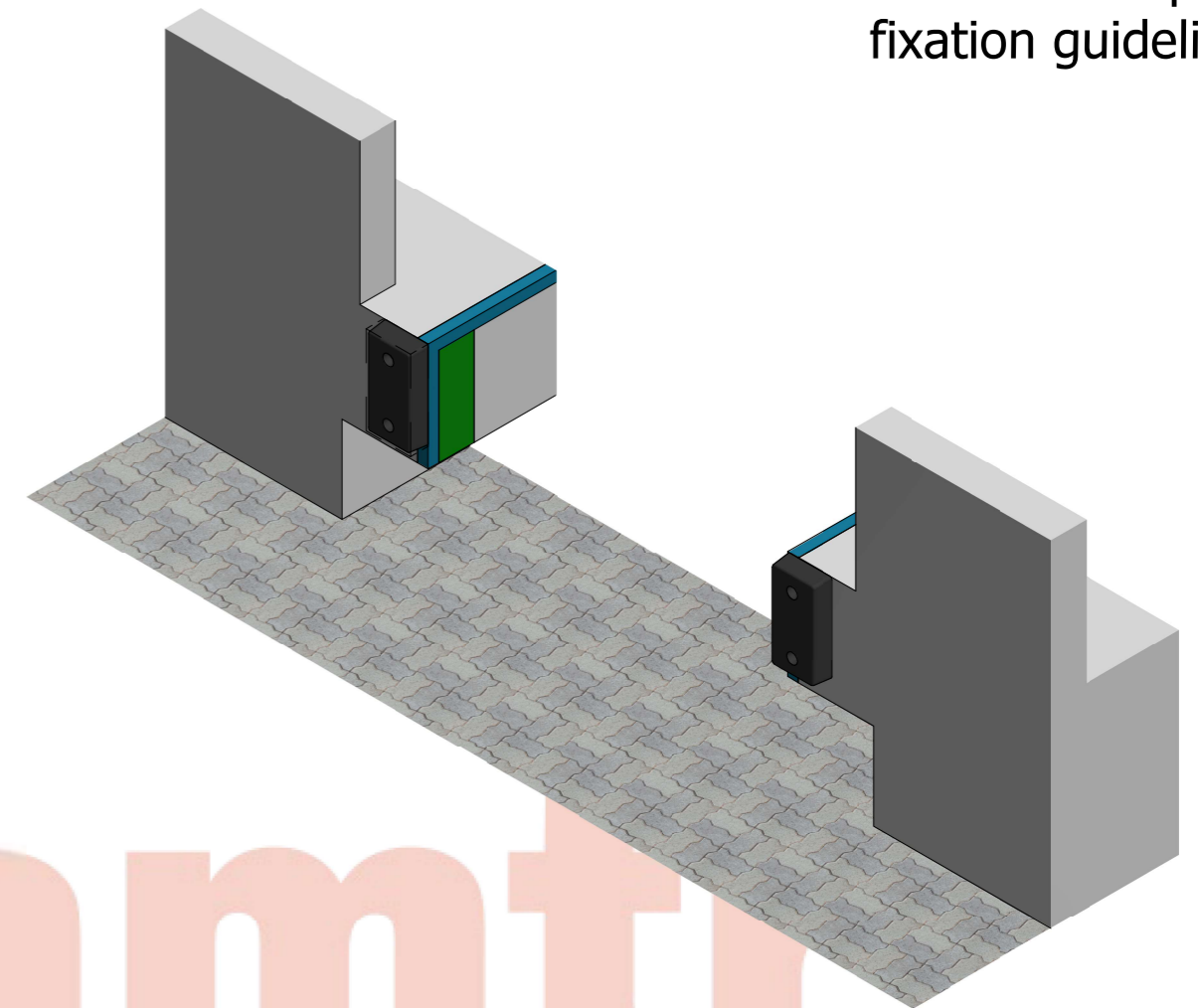
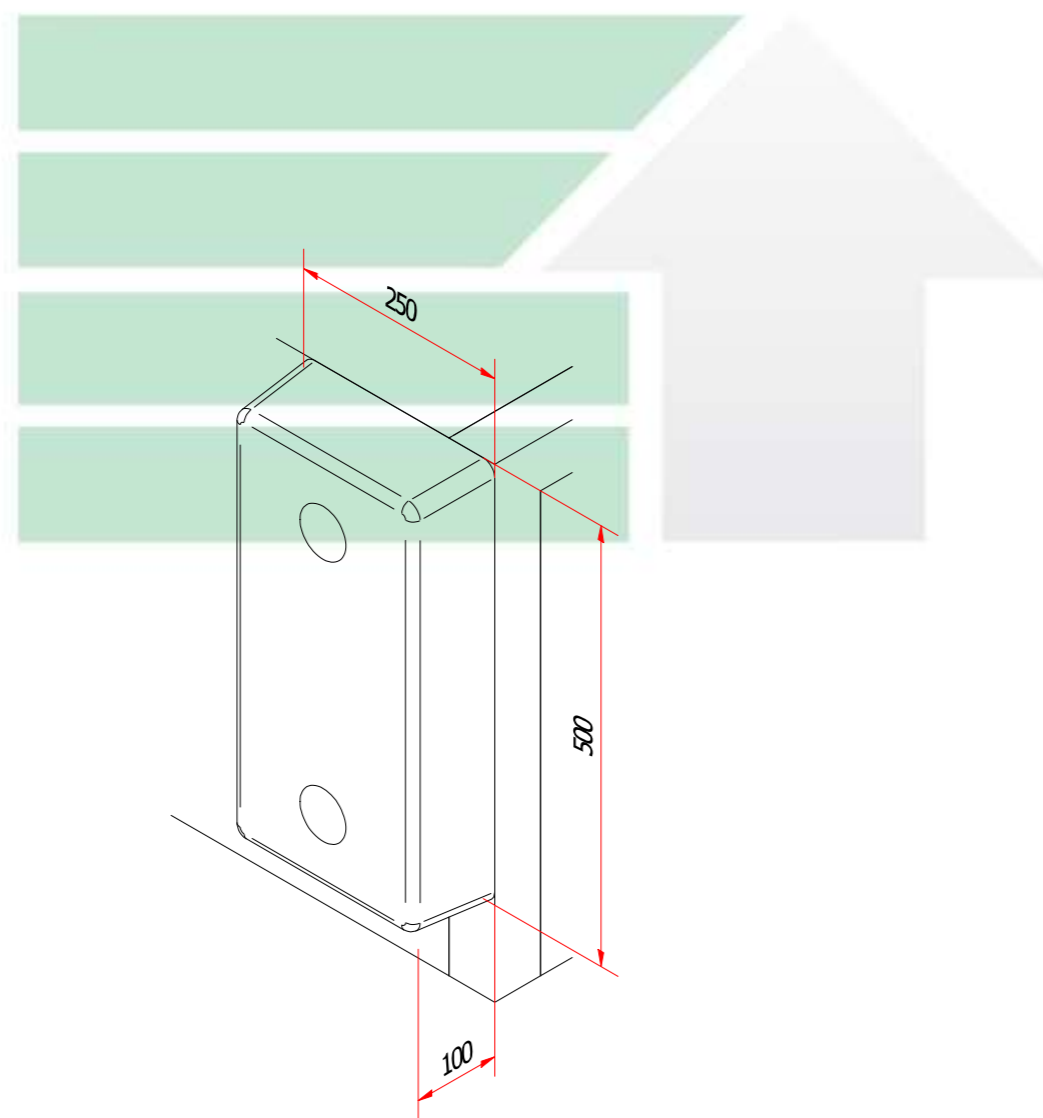
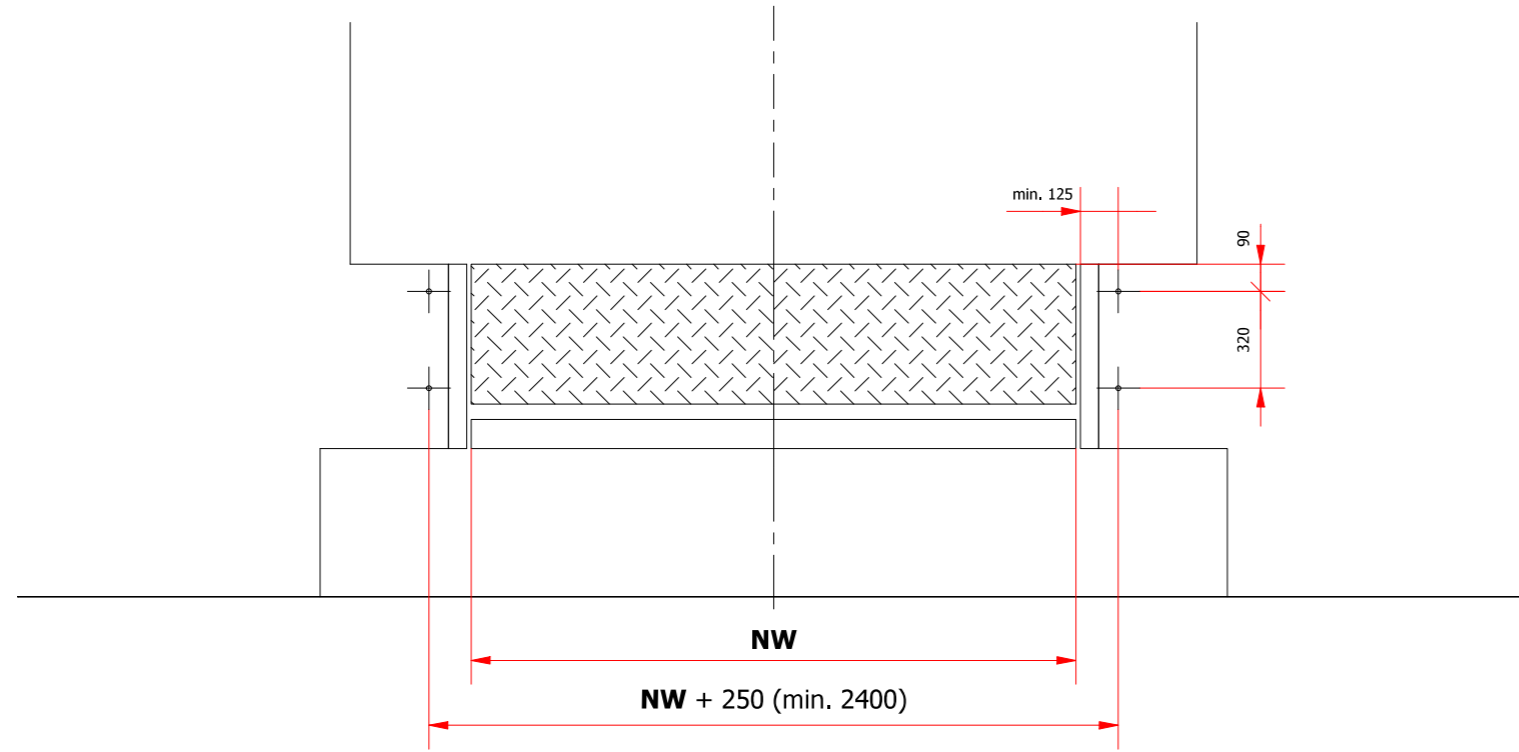


# JUMBO-PRO buffers without base plate fixation guidelines




amtr  
SYSTEM

### Comments:

1. **NW** - nominal width
2. Centre to centre of buffers must not be less than 2400mm
3. The impact force on buffer must not exceed beyond 100kN

Fixation sleeve anchors included.

\* The drawing is an illustrative drawing, not to scale. Detailed technical solutions may differ from those presented in the figure.

Zaprojektowany przez P. Pomykała	Sprawdzony przez H. Sinoff	Zatwierdzony przez G. Mazurkiewicz	Data X : X	Data 21.06.2021	A3
			JUMBO-PRO buffers without base plate fixation guidelines		
			JUMBO-PRO without base plate	Wydanie	Arkusze 1 / 1