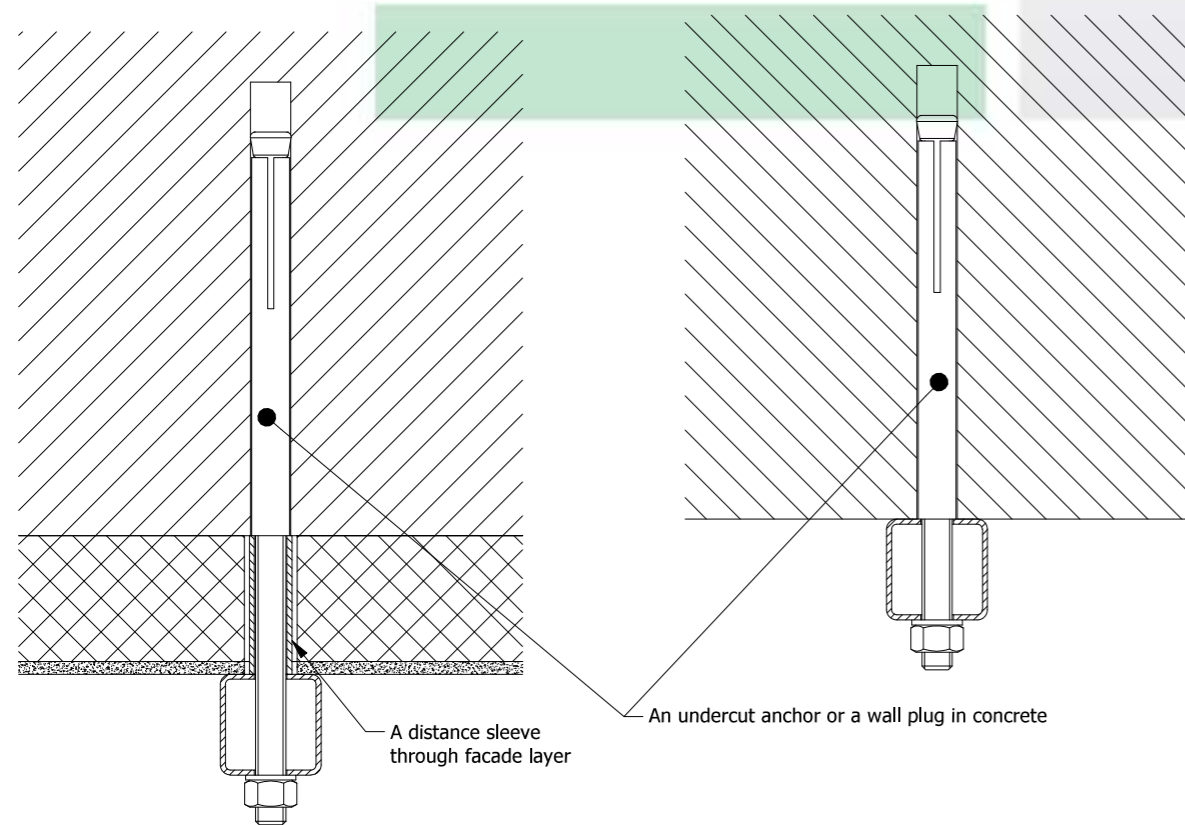


Installation options depending on how the wall is constructed:

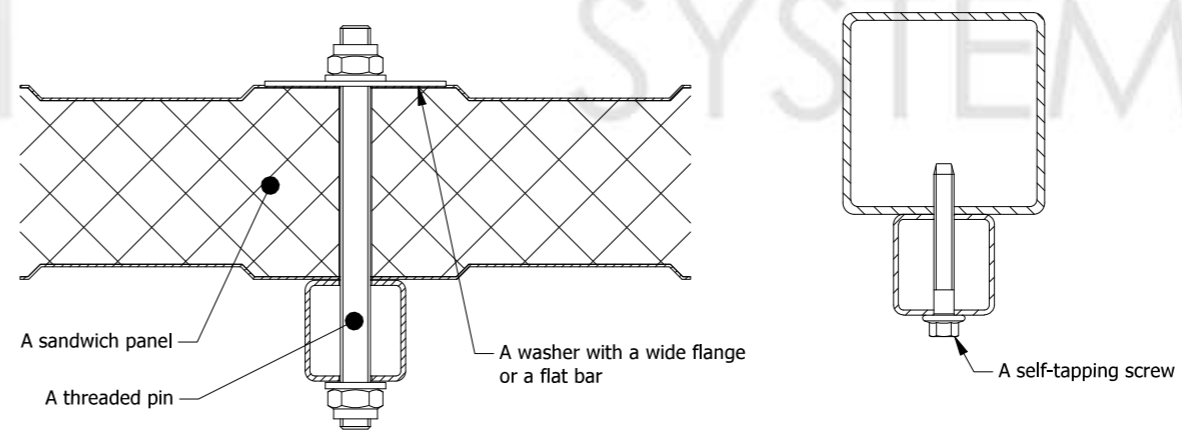
Installation in concrete with insulating facade

Installation in concrete



Installation in a sandwich panel

Installation in a steel profile



Comments:

Wall plugs, e.g. Fisher, can be used as an alternative to undercut anchors.

* The drawing is an illustrative drawing, not made to scale. Detailed technical solutions may differ from the ones shown in the drawing.

Zaprojektowany przez P. Pomykała	Sprawdzony przez H. Sinoff	Zatwierdzony przez G. Mazurkiewicz	Data X : X	Data 21.06.2021	A3
-------------------------------------	-------------------------------	---------------------------------------	---------------	--------------------	----



Guidelines for the installation of AMTR-U 3400 x 3400

AMTR-U 3400 x 3400

Wydanie
Arkusz
1 / 1