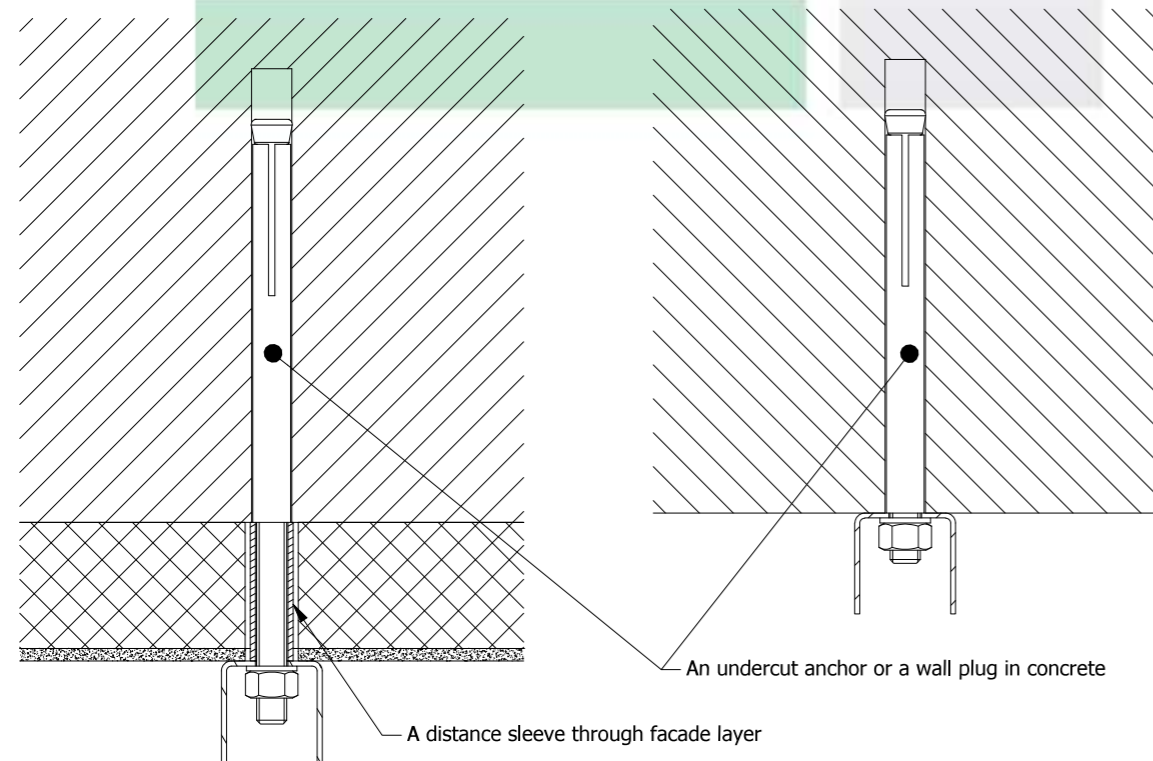


**Installation options depending on how the wall is constructed:**

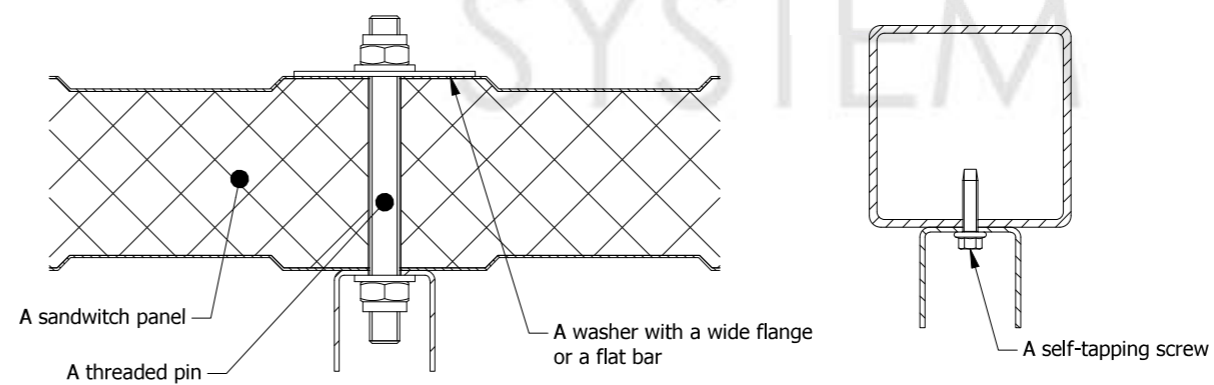
Installation in concrete with insulating facade

Installation in concrete



Installation in a sandwich panel

Installation in a steel profile



**Notes:**

A power supply must be provided to the control box location.  
 The AMTR-P pneumatic seal is operated with 230 V, 50 Hz single-phase current.  
 Wall plugs, e.g. Fisher, can be used as an alternative to undercut anchors.

Zaprojektowany przez P. Pomykała	Sprawdzony przez H. Sinoff	Zatwierdzony przez G. Mazurkiewicz	Data X : X	Data 22.06.2021	A3
-------------------------------------	-------------------------------	---------------------------------------	---------------	--------------------	----



Guidelines of the instalation AMTR-P 3500 x 3700

AMTR-P

Wydanie

Arkusz  
1 / 1

\* The drawing is an illustrative drawing, not made to scale. Detailed technical solutions may differ from the ones shown in the drawing.